

Professional Chest Heated Ironers LR 2500, LR 3000

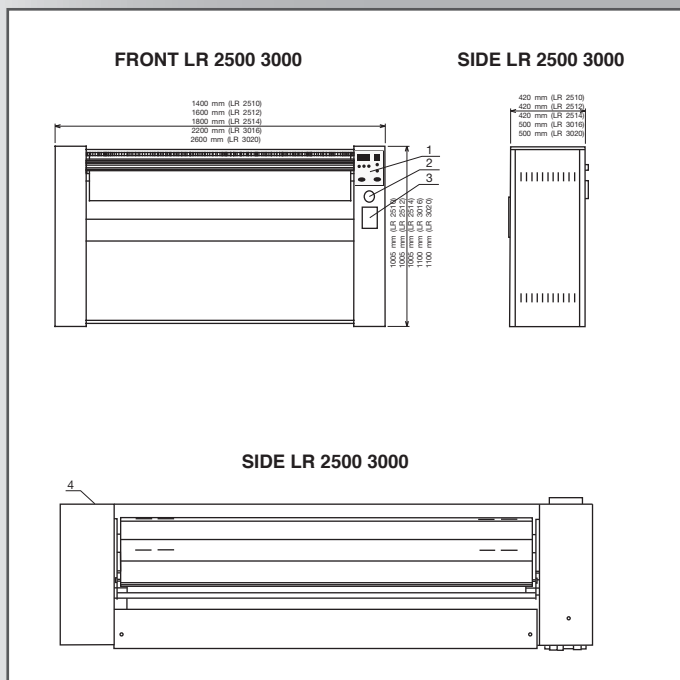


FEATURES

- Safety finger protection and emergency button for more safety
- Foot pedal for easy start and stop operation
- Unlimited variable temperature control
- High ironing pressure
- Automatic lifting and lowering of the heating bed
- Built-in large laundry box
- Cabinet in galvanized steel
- Space saving installation against the wall is possible: front return
- Unlimited variable speed by means of frequency control (LR 2514, LR 3016, LR 3020)
- Electric heating

TYPE		LR 2510	LR 2512	LR 2514	LR 3016	LR 3020
CAPACITY						
Roller Diameter	mm	250	250	250	300	300
Roller Length	mm	1000	1200	1400	1600	2000
Roller with unlimited variable speed		-	-	Standard	Standard	Standard
Roller speed	m/min.	3,9	3,9	4,1	4,1	4,1
Output	kg/h	30	35	40	45	52
Residual moisture	%	10-15	10-15	10-15	20-25	20-25
HEATING		Electrical	Electrical	Electrical	Electrical	Electrical
OPERATION						
Built-in exhaust fan		-	-	-	Standard	Standard
CONSUMPTION						
Heating elements	kW	5	6	7	13,2	16,8
Bed motor	kW	0,18	0,18	0,18	0,48	0,67
Roller motor	kW	-	-	-	0,48	0,48
CONNECTIONS		3×380-400V 50Hz Others on Request				
DIMENSIONS (H×W×D)						
	mm	1005×1400×420	1005×1600×420	1005×1800×420	1100×2200×500	1100×2600×500
TRANSPORT DATA						
Crated (cardboard box) dimensions (H×W×D)	mm	1150×1480×500	1150×1680×500	1150×1880×500	1260×2280×590	1260×2690×590
Crated volume	m ³	0,85	0,97	1,1	1,69	1,99
WEIGHT						
Net						
Gross	kg	100	118	126	262	294
	kg	119	130	145	300	350

Standard = standard execution
+ = available(optional)
- = not available



1. Control panel
2. Emergency stop button
3. Manual roller drive
4. Main switch and power supply

Lavamac preserves the right to change the machines and the specification in this leaflet at any time, without prior notice. Details and photographs are only for information and never binding.

www.lavamac.eu



05-2013/532454