

HIGH SPIN HYGIENIC BARRIER WASHER

AFB 180 AFB 240 AFB 280

FEATURES

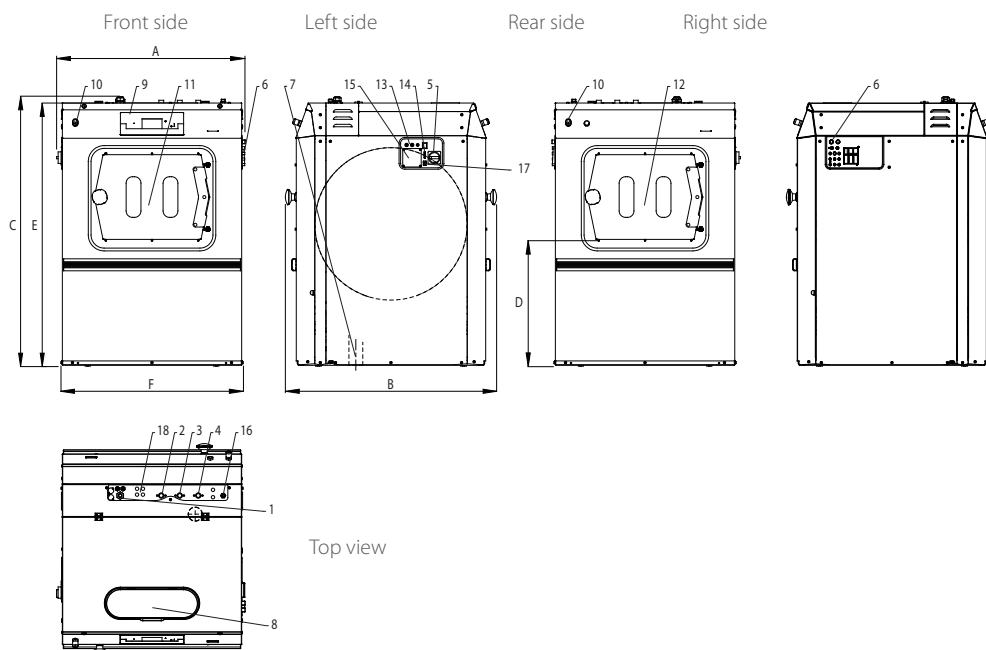
- Freestanding, high spin
- Complete stainless steel cabinet
- Stainless steel drum and tub
- Xcontrol Plus - Fully programmable
- Patented Soap Hopper
- Large drain valve (Ø 76 mm)
- Easy access to all important parts from all sides
- Large door opening for easy loading & unloading
- Automatic door positioning
- Easy Soap - liquid soaps connection

OPTIONS

- USB plug (on the side panel)
- Liquid soap pumps
- Water recovery option incl. second drain valve
- Steam heating version
- Water sample tap
- Trace-Tech® traceability software and networking system
- Second display



TYPE		AFB180	AFB240	AFB280
CAPACITY				
Drum capacity	kg/lb	18/40	24/55	28/65
Drum volume	l	180	240	280
Drum diameter	mm	Ø750	Ø750	Ø750
Number of drums		1	1	1
Number of loading doors		1	1	1
Number of unloading doors		1	1	1
DRUM SPEED				
Washing speed	rpm	42	42	42
Highest spin speed	rpm	939	939	914
G-factor spin speed		370	370	350
PROGRAMMER				
XControl Plus		standard	standard	standard
CABINET				
Stainless steel		standard	standard	standard
HEATING				
Electrical	kW	12/18	18	21,9
Steam	bar	3-8	3-8	3-8
CONNECTIONS				
Electrical		3x 200-240V 50/60Hz 3x 380-480V 50/60Hz 3x DN20 3/4" 1x DN15 1/2"		
Water inlet				
Steam inlet				
DIMENSIONS				
Size HxWxD	mm	1455x900x1145	1455x1020x1145	1455x1130x1145
TRANSPORT DATA				
Gross	kg	485	515	550
Net	kg	430	460	490
Packed HxWxD	mm	1610x1010x1235	1610x1130x1235	1610x1240x1235



- 1 Electrical connection
- 2 Hot water
- 3 Cold water hard
- 4 Cold water soft
- 5 Main switch
- 6 Liquid soap connection
- 7 Drain
- 8 Soap dispenser
- 9 Control panel
- 10 Button CENTRALSTOP
- 11 Loading door
- 12 Unloading door
- 13 Fuses
- 14 USB port
- 15 Electrical connection to liquid soap pumps
- 16 Steam supply
- 17 Tracetech connection (RS485)
- 18 External lubrication system

DIMENSIONS

	A	B	C	D	E	F
AFB180	900	1145	1455	655	1423	850
AFB240	1020	1145	1455	675	1423	970
AFB280	1130	1145	1455	670	1423	1080
	width	depth	height			

DOOR DIMENSIONS

	height	width
AFB180	325	376
AFB240	325	496
AFB280	325	496



Lavamac preserves the right to change the machines and the specification in this leaflet at any time, without prior notice. Details and photographs are only for information and never binding.